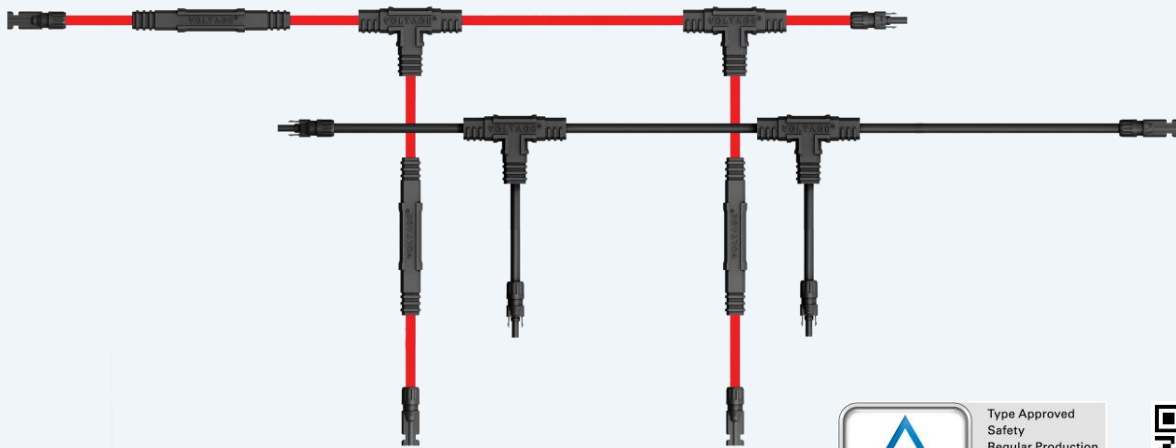


# // STRING HARNESS

Rated for 1.5kV



Type Approved  
Safety  
Regular Production  
Surveillance  
  
www.tuv.com  
ID 2000000000



## Key Features

Customized string harness systems for connecting various module and racking system configurations



### Cut cost

Reduces labor time and material consumption

### Max efficiency

Reduces on-site assembly and installation cost

## CONSTRUCTION

### Mold

Weather resistant outdoor and flame-retardant, 110°C rated



All major connectors available per specific design requirements

## STRING HARNESS

Voltage creates fully customized string harness systems from our customers' drawings. These PV wire configurations are capable of connecting all possible variations of module and racking systems.

Our engineers closely collaborate with each customer to ensure all variables are covered in order to account for all current and voltage drop calculations.

## TECHNICAL DATA

Voltage Rating	1500V DC
1.5kV CU Conductor Size Range	4 mm <sup>2</sup> - 16 mm <sup>2</sup>
Operating Temperature	-40°C ~ 85°C
Max Ambient Temperature	85°C
Upper Limit Temperature	110°C
Connectors, Overmolds, In-line Fuses	IP68 Rated (1m/24hrs)
Dustcaps	IP65 Rated (2.5-3mflow12.5(L/min)/3min)

### STANDARDS

- Conforms to 2 PfG 2380
- Certified to IEC 62930 Electric cables for photovoltaic systems with voltage rating of 1.5kV DC
- Certified to IEC 62852 Connectors for DC-application in photovoltaic systems
- Certified to 2 PfG 2380 In-line fuses for installation in PV- systems
- Certified to IEC 60269-6 Supplementary requirements for fuse-links for the protection of solar photovoltaic energy systems

### IN-LINE FUSES

- Fuse options: 4A-25A
- Fuse brands: Adler, Hollyland
- 1.5kV PV copper wire: 4mm<sup>2</sup> - 10mm<sup>2</sup>
- Colored wire jacket available



### OVERMOLDS

- T/X/Y Kits available
- Outer Mold Flame Rating: V-0 / F1
- Inner Mold Flame Rating: V-0
- 2 PfG 1913, IEC 62930, IEC 62852



### JUMPERS & WHIPS

- Various connector brands available
- Colored wire jacket available
- Pre-assembled custom homerun source wires are bundled per combiner box unit or row depending on the design
- Shipped in boxes or on spools
- Labeled per customer nomenclature
- 100% conductivity tested

